



# KEYSTONE REMOVAL FROM DOOR

## OVERVIEW

---

There might be situations where it's necessary to remove the Keystone frame from a door after it has been installed. This document provides a step-by-step guide on how to remove the Keystone frame so that the door can be reused.

## TOOLS NEEDED

---

- Small Flat Head Screwdriver (1/8")
- Drill with #2 Phillips Driver Bit
- Oscillating Multi-Tool
- Oscillating Multi-Tool "Sealant" Blade (Recommended Blade: Diablo Freud Sealant Blade)
- Shims
- Scraping Tool (utility scraper or multi-tool)
- 50%-70% Isopropyl alcohol (IPA)

## COVER REMOVAL ON INTERIOR FRAME

---

### STEP 1

---

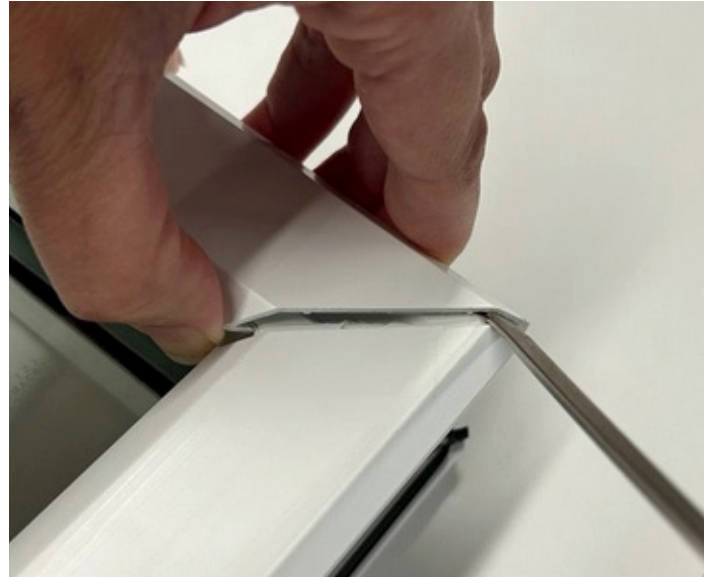
Insert the screwdriver under the inside corner of one cover. Lift to disengage the retaining feature. Hold the edge to prevent re-engaging.



### STEP 2

---

Insert screwdriver under the outside corner. Lift to disengage the retaining feature.



### STEP 3

---

Pull the cover from the extrusion.



# FRAME REMOVAL

## STEP 1

Remove all screws from the frame.

## STEP 2

A sealant blade **(a)** is recommended to cleanly cut the tape and not damage the door. It is not recommended to use an oscillating tool blade with serrations. **(b)**



Starting with the interior frame, use the Multi-Tool to cut the tape. Work on the long sides only, beginning approximately 4 inches from the end.

TIP: To minimize scratching on the door, apply painters tape along the path of multi-tool travel.



NOTE: The interior side is shown.



## STEP 3

Flip the door.

## STEP 4

When removing the frame from exterior side, place spacer blocks under glass to lift door off the table approximately 1/2 inch. As the tape is cut, the door will drop away from the frame.

Another option is to place a shim under the section of frame you have completed cutting so the tape does not re-adhere to the door.



## STEP 5

Remove the frame from the door.

## STEP 6

Scrape excess tape from the door using the scraping tool. Remove extra residue with IPA wipes.

NOTE: Take care to not cut into fiberglass skin when scraping excess tape.



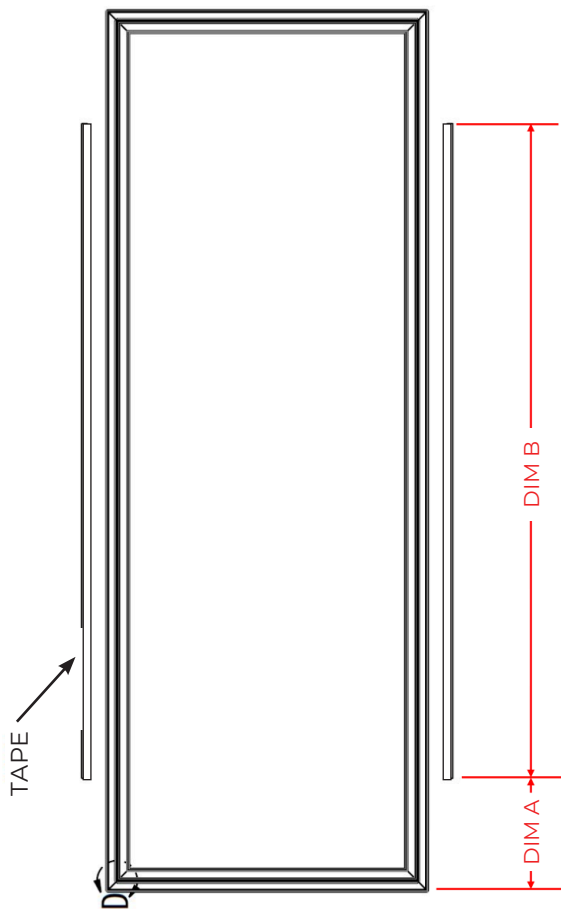
## STEP 7

New tape must be applied to the inner and outer frame if the frame is going to be re-installed into a door.

Mark the start and end points of the tape on the frame as a reference point for the length and position of the new strips of tape. Make these marks in all four tape locations. The table below can also be referenced for the tape length and location based on the frame size.

Remove all tape residue from the frame. Wipe the area where the tape will be re-applied with IPA.

Rolls of tape can be purchased as a service part.



FRAME SIZE	DIM A (IN.)	DIM B (IN.)
7X64	8	50
8X64	8	50
8X80	8	65
14X64	8	50
14X80	8	65
20X36	8	20
20X64	8	50
20X80	8	65
21.313X15.938	5	13
22X10	5	15
22X15.25	5	15
22X36	8	20
22X48	8	35
22X60	8	45
22X64	8	50
22X76	8	60
22X80	8	65
25X15.25	5	17

