

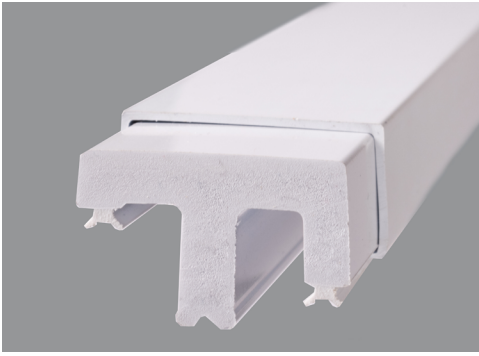


Newly designed interior cover cap

Discover the new Urban Frame

Where robust design meets refined style. Engineered for the exceptional quality you come to expect from our brand.

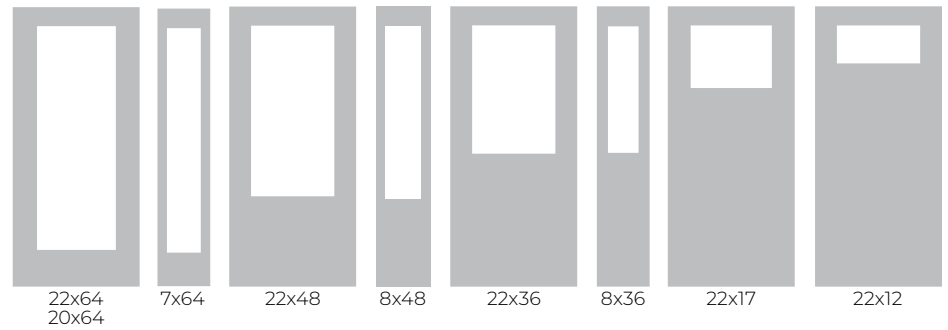
- **Streamlined Aesthetic:** Our new innovative interior cover cap design offers a sleek appearance by concealing screw heads and eliminates the need to use screw plugs.
- **Premium Exterior and Interior PVC Construction:** Crafted for superior strength. Perfect versatile applications.
- **UV Resistant:** safeguards against the harsh effects of sunlight, maintaining the stunning appearance of your products over time.
- **Low Profile Design:** for a wider range of architectural applications.
- **Precision Mitered Corners:** Corners provide superior stability and strength for lasting performance.
- **Versatile Climate Use:** Suitable for both moderate heat and cold environments.
- **Frame Finishing Overview:** CAUTION - Painting this frame a dark colour can cause heat damage not covered by the warranty.



PVC Frame Cross Section

AVAILABLE SIZES

* Custom Sizes Available



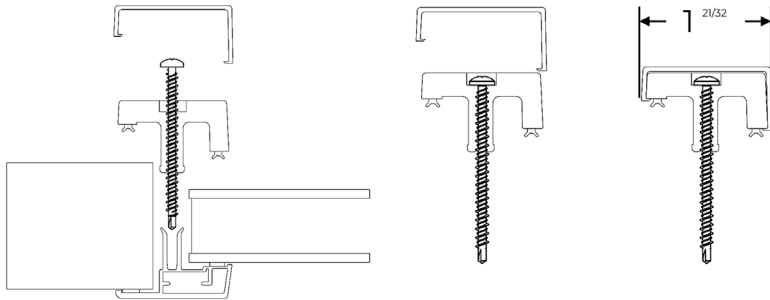
PROBLEM SOLVING FEATURES

- **Durable PVC Foamed with Cap Stock:** Prevents yellowing when left unfinished, maintaining a fresh appearance over time
- **Cost-Effective:** Eliminates the need for painting, reducing overall costs
- **Heat Resistance:** Minimizes warping in warm environments, ensures durability and performance you can rely on
- **Seamless Integration:** Our frame profile is designed to eliminate the discrepancies of traditional frames, ensuring a harmonious blend with any door and home style

DEVELOPED FOR

- **Glass Compatibility:** Suitable for 1" IG commodity glass and decorative glass
- **Sizing Options:** Available in standard and select non-standard sizes, fitting 1 3/4" door thickness
- **Energy Efficiency:** Can be used to meet Energy Star ratings.

ASSEMBLY



- To install cover, hook and push it to snap in place.
- Centre it and clip the slab side first, then push it to clip on the IG side, making sure each section snaps into place before moving to the next one.
- DO NOT use a hammer or mallet.

PVC Frame:

- Ensure the contact area is clean, dry, and free of dirt, dust, oil, and any release agents
- Assemble only with the #8 x 1.87" Philips pan head #2 zinc yellow screws
- Tighten screws to 70-72 inch-pounds



canada.odl.com
1.800.253.3900