



# IMPACT RATED DOORGLASS BLINDS + GLASS

FOR HINGED EXTERIOR DOORS

## THE BEST-SELLING BLINDS BETWEEN GLASS

Available for Entry and Hinged Patio Doors.

### LIGHT AND PRIVACY CONTROL

The perfect levels of light and privacy are yours to control. Our superior EasyGlide System allows our blinds to tilt completely closed, keeping you safe from prying eyes and comfortable from unwanted light.

### EASY TO OPERATE

The ergonomically placed operator lets you raise, lower, and tilt your blinds the entire length of the doorglass with only the slightest movement. No reaching or stooping is needed to adjust the blinds.

### LOW MAINTENANCE

Since our blinds are enclosed between two panels of glass, you never need to dust which decreases allergens in your home. Entry Doorglass carries a 20-year warranty on blinds, glass seal and operator for long-term performance in your exterior door.

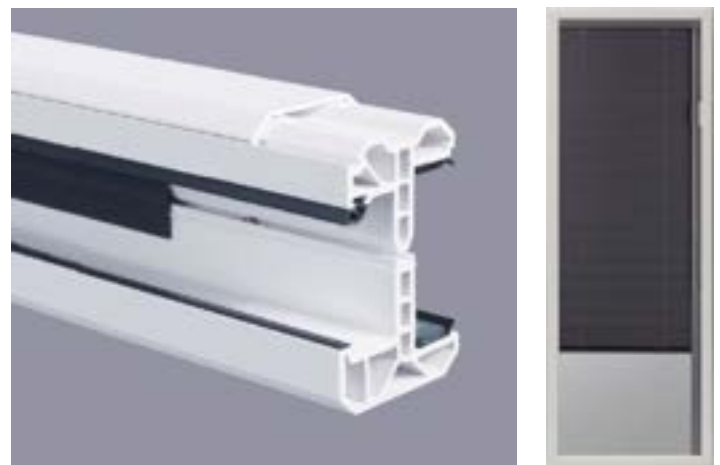
### SAFETY

With no dangling cords, Entry Doorglass is certified safe for children and pets. All of our enclosed blinds are offered in tempered safety glass.



### ATTENTION TO DETAIL

We prioritized style and design by offering several colors and paid attention to aesthetic details, such as covering the cords with a bottom rail and matching all the visible components. Choose from an Aluminum or Keystone® Impact Rated doorglass frame and Clear or Low-E glass.



### OPERATION

IG Thickness	1.22"
Doorglass	20x36, 22x36, 20x64, 22x64, 20x80, 22x80
Sidelights	8x36, 8x64, 14x64, 8x80, 14x80
Doors	1.66" to 1.80" thick

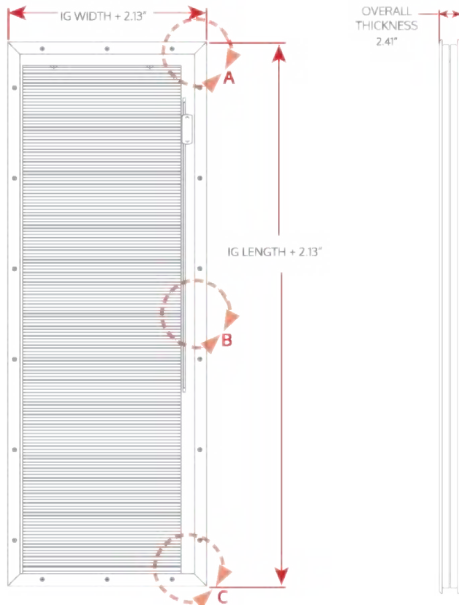
\*Size availability may vary by color.



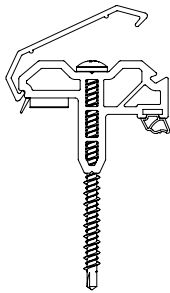


# IMPACT RATED DOORGLASS BLINDS + GLASS

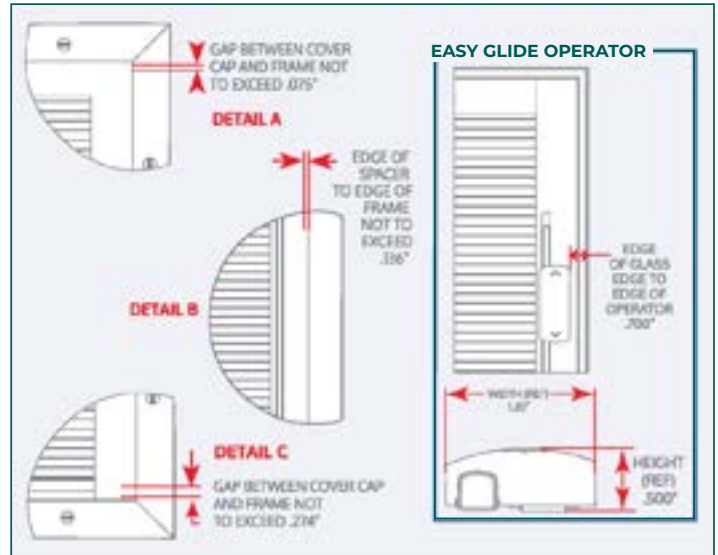
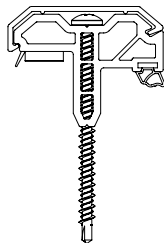
## FOR HINGED EXTERIOR DOORS



### KEYSTONE FRAME COVER INSTALLATION

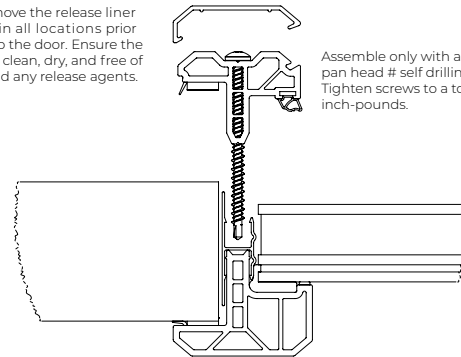


Hook cover, rotate to snap in place.



### KEYSTONE FRAME ASSEMBLY VIEW

Completely remove the release liner from the tape in all locations prior to assembly into the door. Ensure the bonding area is clean, dry, and free of dirt, dust, oil, and any release agents.



Assemble only with a #8-18 x 2.25" Phillips pan head # self drilling zinc yellow screw. Tighten screws to a torque from 16.3 to 19 inch-pounds.

OPERATION	
Blind Function	Raise, Lower, and Tilt
EasyGlide Operator	Single Shot
Capillary Tube	Do not block, crush or cut
Operator Hand Position	Right-Hand Only

CODE OF COMPLIANCE	
IGCC (seal)	ASTM E2190 seal certification
ASTM (laminated glass)	ASTM C1172
ANSI (interior glass)	ANSI Z97.1 safety glazing
ASTM (interior glass)	ASTM C1036-16 flatness & C1048-18 tempered
ANSI (safety)	ANSI / WCMA A100.1-14
Turtle Code Compliant	Meets sea turtle regulations (gray glass only)
ASTM (impact frame)	ASTM d3359-02 adhesion Florida Building Commission FL14935.1-4
HVHZ (doorglass)	HVHZ DP +/- 60
STC (doorglass)	STC 39
ENERGY STAR®	Can use in doors to meet ENERGY STAR® criteria

MATERIALS	
Spacer	Intercept®, tin plated steel
Glass (Clear)	1/8" Tempered safety glass
Laminated Glass (Clear)	(2) 1/8" clear glass, .090 PVB inner layer
Laminated Glass (Gray Tinted)	1/8" clear glass, .090 PVB inner layer 1/8" turtle compliant glass
Laminated Glass (Low-E)	1/8" clear glass, .090 PVB inner layer 1/8" hardcoat Low-e glass
Frame	uPVC
Blind Slat	12.5 mm wide aluminum UV stabilized coating
Sealant	Dual seal equivalent
Desiccant	Desiccant matrix (moisture & chemical management)
Decorative Cover Caps	UV stabilized, heat tolerant polymer

MAINTENANCE	
Glass	Clean with soap and water or quality window cleaner
Frame	Wash with soap and water

WARRANTY	
20 year limited blind and glass seal warranty	

